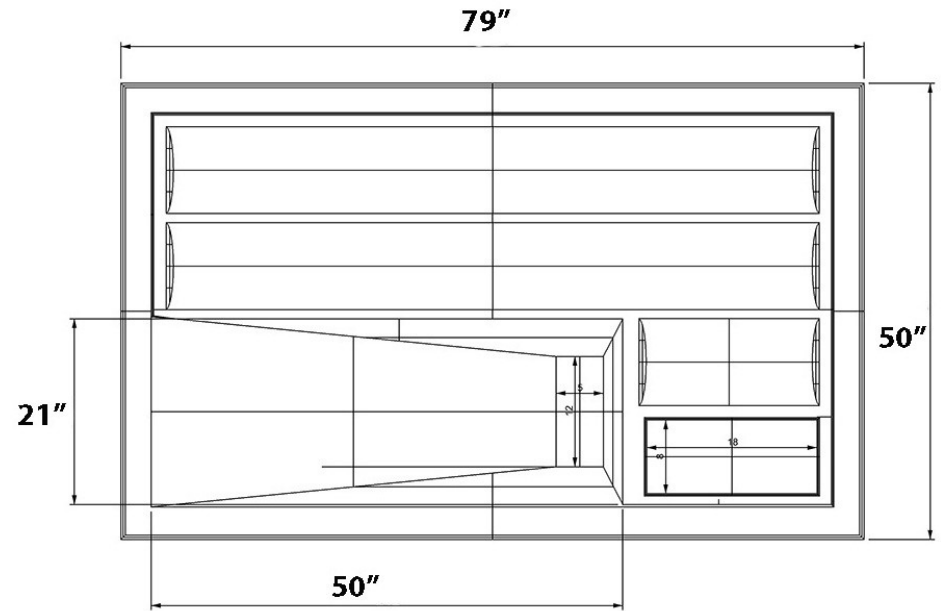
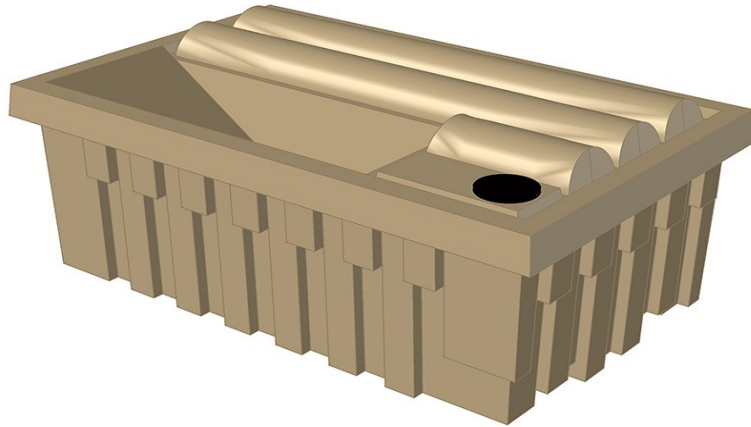
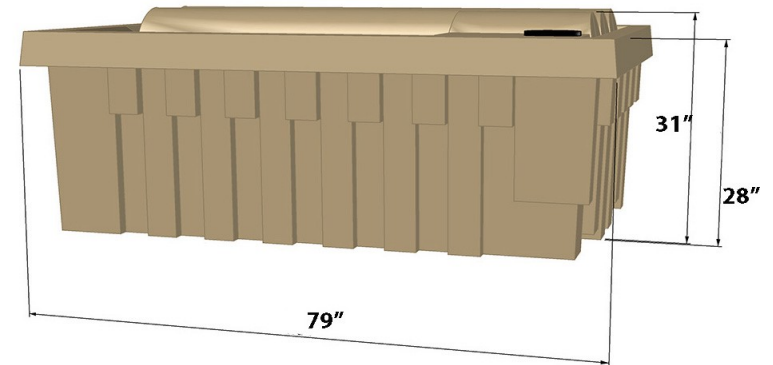
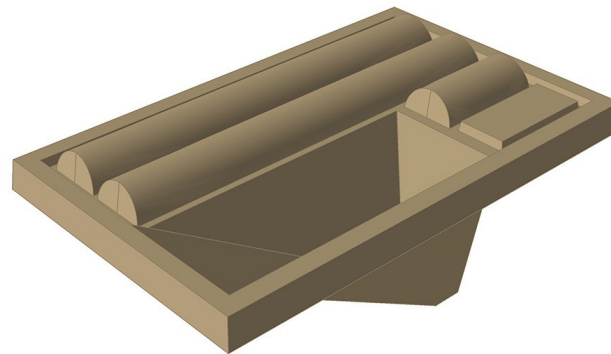


# DT-300

## 300 Gallon Wildlife Guzzler



Fill Port, Hatch, 1" Drain and Line-in Fittings



Revised Jan2022



Rainmaker Products LLC  
PO Box 31697, Bellingham WA 98228  
360-739-6361 tim@Rainmakerwildlife.com  
www.RainmakerWildlife.com

Model: Dome-Top 300 Wildlife Guzzler  
Material: LLDPE Polyethylene. UV Inhibitors Added  
Capacity: 300 Gallons  
Weight: 180 Lbs (Base 100 lbs, Lid 80 lbs)  
Fitting: Base -1" Drain, 1" Line-in. Lid 2" Fill Port, 6" Hatch

The DT-300 is engineered to be installed in-ground or above-ground. It is designed for deer, bird and general wildlife. A separate collection roof system can be added to increase the total collection surface area to optimize rain collection. Collection roof designs can be found at [www.rainmakerwildlife.com](http://www.rainmakerwildlife.com) > collection roofs designs.